

Easy CramBible Lab



350-001

**CCIE-ROUTING AND SWITCHING
QUALIFICATION (WRITTEN EXAM)**

**** Single-user License ****

This copy can be only used by yourself for educational purposes

Web: <http://www.crambible.com/>

E-mail: web@crambible.com

Important Note
Please Read Carefully**Study Tips**

This product will provide you questions and answers along with detailed explanations carefully compiled and written by our experts. Try to understand the concepts behind the questions instead of cramming the questions.

Go through the entire document at least twice so that you make sure that you are not missing anything.

Latest Version

We are constantly reviewing our products. New material is added and old material is revised. Free updates are available for 90 days after the purchase. You should check your member zone at CramBible an update 3-4 days before the scheduled exam date.

Here is the procedure to get the latest version:

1. Go to www.CramBible.com
2. Click on Member zone/Log in
3. The latest versions of all purchased products are download from here. Just click the links.

For most updates, it is enough just to print the new questions at the end of the new version, not the whole document.

Feedback

Feedback on specific questions should be send to web@CramBible.com. You should state: Exam number and version, question number, and login ID.

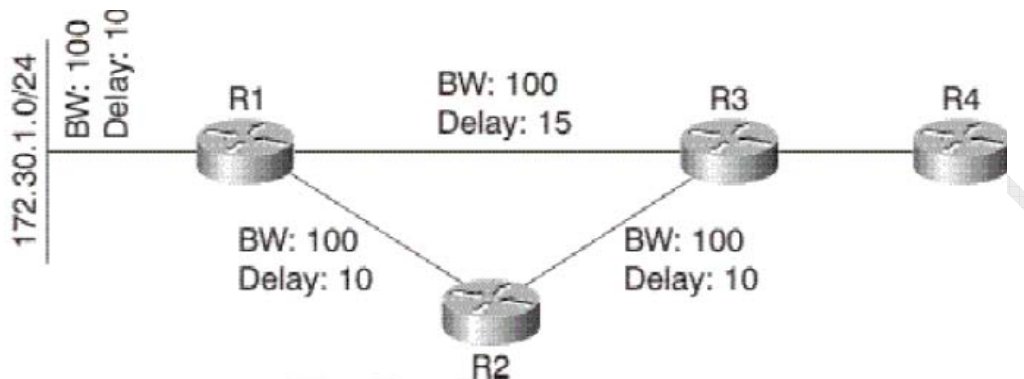
Our experts will answer your mail promptly.

Copyright

Each pdf file contains a unique serial number associated with your particular name and contact information for security purposes. So if we find out that a particular pdf file is being distributed by you, CramBible reserves the right to take legal action against you according to the International Copyright Laws.

THE TOTAL NUMBER OF QUESTIONS IS 376

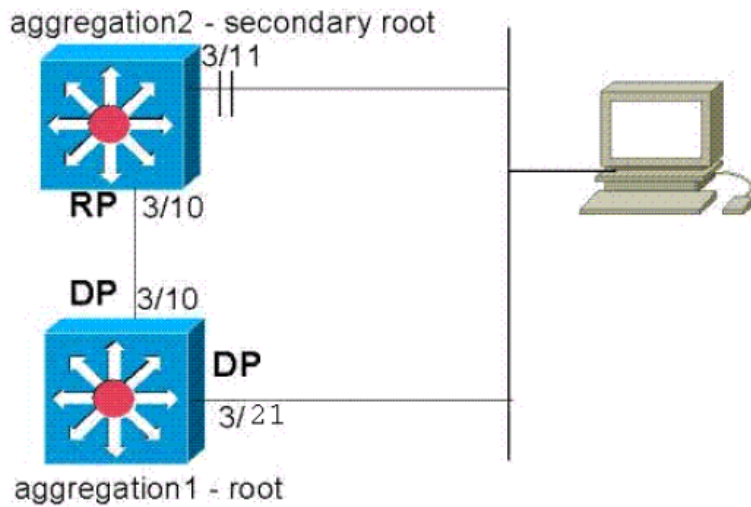
QUESTION NO: 1 You are a network administrator of the CramBible company. Examine the CramBible network topology carefully. EIGRP has been configured on this network. CB1, CB2 and CB3 are connected with each other. When the link between CB1 and CB3 is down, what would CB4 receive from CB3?



- A. CB4 would not receive any updates or queries, since CB3 would simply move to the path through CB2.
- B. CB4 would receive an update noting CB3's higher cost to reach 172.30.1.0/24.
- C. CB4 would receive a query, since CB3 would mark 172.30.1.0/24 as active when the link between CB1 and CB4 failed
- D. CB4 would not receive any packets, since CB3 is not using the link to CB1 to reach 172.30.1.0/24.

Answer: B

QUESTION NO: 2 You are a network administrator at CramBible.com, the following is a network topology of a department. Refer to the exhibit. Which switching feature is being tested?



```

aggregation-2 (enable) set spantree portfast 3/11 ena
Warning: Spantree port fast start should only be enabled on ports connected to a single host.
Connecting hubs, concentrators, switches, bridges, etc. to a fast start port can cause temporary spanning tree loops. Use with
caution.
Spantree port 3/11 fast start enabled.
aggregation-2 (enable) set spantree portfast bpd-filter ena
Spantree portfast bpd-filter enabled on this switch.
2001 Feb 08 13:32:14 %SPANTREE-4-LOOPGUARDBLOCK: No BPDUs were received on port 3/21 in VLAN 99. Moved to
loop-inconsistent state
    
```

- A. BDPU guard
- B. PortFast
- C. root guard
- D. loop guard

Answer: D

QUESTION NO:3 Which two of these best describe an OSPF stub area? (Choose two.)

OSPF Domain 2
10.200.0.0/24

RA configuration	RB configuration
<pre> router ospf 1 <text omitted> redistribute ospf 2 subnet distance 255 10.100.2.2 1 ! router ospf 2 <text omitted> redistribute ospf 1 subnet distance 255 10.200.4.4 0.0.0.0 2 ! access-list 1 permit 10.200.0.0 0.0.255.255 access-list 2 permit 10.100.0.0 0.0.255.255 </pre>	<pre> router ospf 1 <text omitted> redistribute ospf 2 subnet distance 255 10.100.1.1 1 ! router ospf 2 <text omitted> redistribute ospf 1 subnet distance 255 10.200.3.3 0.0.0.0 2 ! access-list 1 permit 10.200.0.0 0.0.255.255 access-list 2 permit 10.100.0.0 0.0.255.255 </pre>

- A. All routers in a stub area must be configured as stub.
- B. Only summary routes from an external AS can be injected into a stub area.
- C. A stub area will not accept routes belonging to an external AS.
- D. Each stub area always has an ASBR attached to it.

Answer: A, C

QUESTION NO:4 Which two of these parameters are used to determine a forwarding equivalence class? (Choose two.)

```
network 10.1.2.0 0.0.0.255 area 1
redistribute static subnets
redistribute connected subnets

R1#show ip ospf data external 10.1.4.0/24

OSPF Router with ID (10.1.3.1) (Process ID 1)
Type-5 AS External Link States
LS age: 72
Options: (NO TOS-capability, DC)
LS Type: AS External Link
Link State ID: 10.1.4.0 (External Network Number )
Advertising Router: 10.1.3.1
LS Seq Number: 80000001
Checksum: 0xF161
Length: 36
```

- A. IP prefix
- B. Layer 2 circuit
- C. BGP MED value
- D. RSVP request from CE for bandwidth reservation

Answer: A, B

QUESTION NO: 5 In order to create a fully-meshed Frame Relay network with point-to-point links between 10 sites, how many links would be needed?

- A. 35
- B. 10
- C. 20
- D. 45

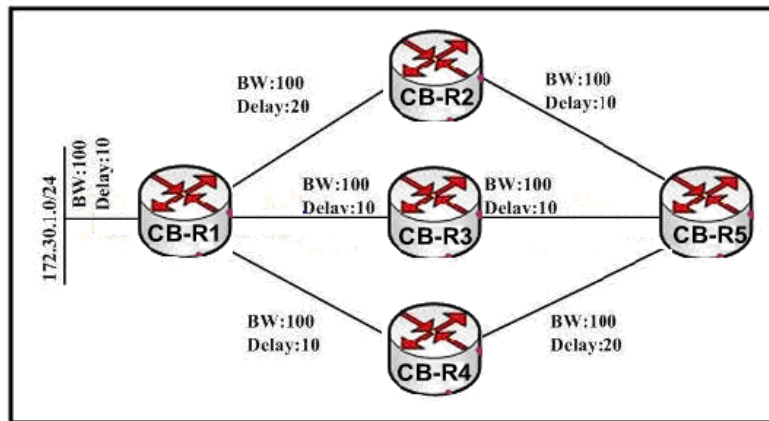
Answer: D

QUESTION NO: 6 If an LSR receives a labeled packet for which there is no label entry in the LFIB, which action does the router perform?

- A. It strips the label and does a lookup in the FIB using the IP destination address.
- B. It uses LDP to create an LSP and a new entry in the LFIB for that label.
- C. It drops the packet
- D. It uses a default label for forwarding

Answer: C

QUESTION NO: 7 When the NTP peer statement is used in a Cisco IOS router, what functionality does this imply is also being used on the router?



- A. static server
- B. symmetric active mode
- C. NTP broadcast client
- D. static client

Answer: B

QUESTION NO: 8 If a port configured with STP PortFast BPDU guard receives a BPDU, what will happen to the port?

- A. it will be put into a forwarding state
- B. it will be designated as a root port
- C. it will be put into an errdisabled state
- D. it will be identified as a designated port

Answer: C

QUESTION NO: 9 This question is about the Spanning Tree Protocol (STP) root guard feature. What is the STP root guard feature designed to prevent?