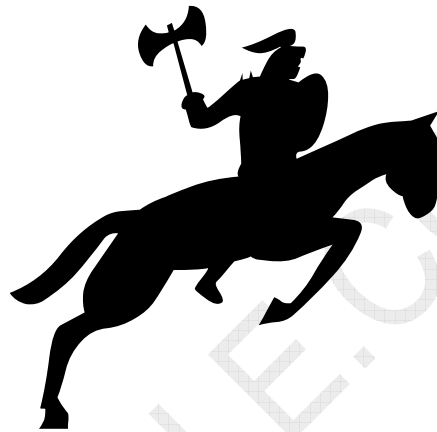


Easy CramBible Lab



352-001

CISCO ADVDESIGN

**** Single-user License ****

This copy can be only used by yourself for educational purposes

Web: <http://www.crambible.com/>

E-mail: web@crambible.com

Important Note
Please Read Carefully**Study Tips**

This product will provide you questions and answers along with detailed explanations carefully compiled and written by our experts. Try to understand the concepts behind the questions instead of cramming the questions.

Go through the entire document at least twice so that you make sure that you are not missing anything.

Latest Version

We are constantly reviewing our products. New material is added and old material is revised. Free updates are available for 90 days after the purchase. You should check your member zone at CramBible an update 3-4 days before the scheduled exam date.

Here is the procedure to get the latest version:

1. Go to www.CramBible.com
2. Click on Member zone/Log in
3. The latest versions of all purchased products are download from here. Just click the links.

For most updates, it is enough just to print the new questions at the end of the new version, not the whole document.

Feedback

Feedback on specific questions should be send to web@CramBible.com. You should state: Exam number and version, question number, and login ID.

Our experts will answer your mail promptly.

Copyright

Each pdf file contains a unique serial number associated with your particular name and contact information for security purposes. So if we find out that a particular pdf file is being distributed by you, CramBible reserves the right to take legal action against you according to the International Copyright Laws.

THE TOTAL NUMBER OF QUESTIONS IS 240

QUESTION NO: 1 Lafayette Productions is looking for a new ISP that has improved availability, load balancing, and catastrophe protection. Which type of ISP connectivity solution would be best?

- A. single run
- B. multi-homed
- C. stub domain EBGp
- D. direct BGP peering

Answer: B

QUESTION NO: 2 Which two items are true about QoS in MPLS VPN (RFC 2547bis) networks? (Choose two.)

- A. On egress from the Edge-LSR, the EXP field is used for PHB QoS towards the CE.
- B. MPLS can force packets into specific paths and bandwidths based on Edge-LSR mapping of DSCP to EXP.
- C. DiffServ information must be made known to the LSR in the MPLS header using the EXP field.
- D. MPLS QoS is a scalable and simple solution because it only requires application at the Edge-LSR.

Answer: B, C

QUESTION NO: 3 EIGRP performs route summarization at the interface level with the ip summary-address command. Which three statements correctly describe EIGRP route summarization? (Choose three.)

- A. Summary routes are inserted in the routing table with a next hop of null 0 and a high administrative distance, to prevent black holing of traffic.
- B. By default, EIGRP automatically summarizes internal routes, but only each time a major network boundary is crossed.
- C. EIGRP route summarization can reduce the query diameter to help prevent SIA problems.
- D. The metric for each summarized route is inherited from the lowest metric of the component routes.

Answer: B, C, D

QUESTION NO: 4 The headend router propagates which two resources for constrained based path computation with MPLS Traffic Engineering? (Choose two.)

- A. link delay
- B. link jitter
- C. link bandwidth and link affinity
- D. average link utilization

Answer: C

QUESTION NO: 5 Flex Links are a pair of a Layer 2 interfaces (switchports or port channels), where one interface is configured to act as a backup to the other. Which two statements are correct regarding Flex Links?

- A. An interface can only belong to single Flex Links.
- B. An interface can belong to multiple Flex Links.
- C. Flex Links operate only over single pairs of links.
- D. Flex Links automatically disable STP so no BPDUs are propagated.

Answer: C, D

QUESTION NO: 6 Which option is correct in terms of designing a policy in which more than one class share a queue?

- A. It should be deployed throughout the network to simplify the design.
- B. It must be avoided under all circumstances.
- C. It requires consideration of the performance targets of classes sharing the queue.
- D. It will result in a negative class.

Answer: C

QUESTION NO: 7 The packets discovered are considered part of an attack. What benefit can be obtained by using a packet scrubbing device to redirect them?

- A. Packet scrubbing forwards valid traffic.
- B. Packet scrubbing provides better logging of suspected attacks.
- C. Packet scrubbing is "line rate."
- D. Packet scrubbing filters all traffic.

Answer: A

QUESTION NO: 8 Which item is the primary requirement when deploying OSPF graceful restart on a router?

- A. Some form of fast Layer 2 down detection must be enabled on the router.
- B. The adjacent router must support graceful restart helper mode.
- C. The adjacent routers must be enabled to forward traffic during the failure.
- D. Aggressive routing protocol hellos and keepalives must be running on the router.

Answer: B

QUESTION NO: 9 A virtual storage area network (VSAN) is a collection of ports from a set of connected Fibre Channel switches, that form a virtual fabric. Which technology allows centralized storage services to be shared across different VSANs?

- A. IVR
- B. FSPF
- C. FICON
- D. SANTap

Answer: A

QUESTION NO: 10 NetFlow provides valuable information about network users and applications, peak usage times, and traffic routing. Which function is of NetFlow?

- A. monitor configuration changes
- B. monitor CPU utilization
- C. monitor link utilization
- D. generate traps for failure conditions

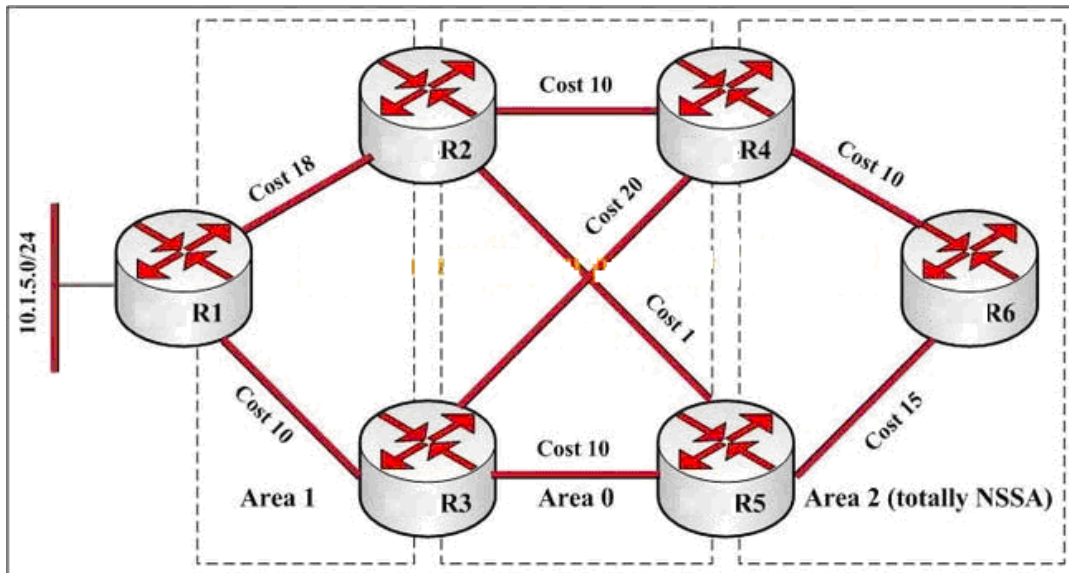
Answer: C

QUESTION NO: 11 What information can you get from TCP flags while assessing an attack?

- A. source of the attack
- B. type of attack
- C. target of the attack
- D. priority of the attack traffic

Answer: B

QUESTION NO:12 You are a network technician for the CRAMBIBLE company, study the exhibit carefully. CRAMBIBLE-R1 is redistributing 10.1.5.0/24 into Area 1 in this network. Which LSA containing 10.1.5.0/24 will CRAMBIBLE-R6 have in its database?



- A. CRAMBIBLE-R6 will have a border router (type 4) LSA in its local database for 10.1.5.0/24.
- B. CRAMBIBLE-R6 will have an NSSA external (type 7) LSA in its local database for 10.1.5.0/24.
- C. CRAMBIBLE-R6 will have an external (type 5) LSA for 10.1.5.0/24 in its local database.
- D. CRAMBIBLE-R6 will not have any LSAs containing 10.1.5.0/24.

Answer: D

QUESTION NO: 13 Scalability is provided in the server farm module by which of the following design strategies?

- A. up to 10 Gbps of bandwidth at the access level
- B. redundant servers at the access level
- C. modular block design at the access level
- D. high port densities at the access level

Answer: C