

Easy CramBible Lab



640-801

CCNA

**** Single-user License ****

This copy can be only used by yourself for educational purposes

Web: <http://www.crambible.com/>

E-mail: web@crambible.com

Important Note
Please Read Carefully**Study Tips**

This product will provide you questions and answers along with detailed explanations carefully compiled and written by our experts. Try to understand the concepts behind the questions instead of cramming the questions.

Go through the entire document at least twice so that you make sure that you are not missing anything.

Latest Version

We are constantly reviewing our products. New material is added and old material is revised. Free updates are available for 90 days after the purchase. You should check your member zone at CramBible an update 3-4 days before the scheduled exam date.

Here is the procedure to get the latest version:

1. Go to www.CramBible.com
2. Click on Member zone/Log in
3. The latest versions of all purchased products are download from here. Just click the links.

For most updates, it is enough just to print the new questions at the end of the new version, not the whole document.

Feedback

Feedback on specific questions should be send to web@CramBible.com. You should state: Exam number and version, question number, and login ID.

Our experts will answer your mail promptly.

Copyright

Each pdf file contains a unique serial number associated with your particular name and contact information for security purposes. So if we find out that a particular pdf file is being distributed by you, CramBible reserves the right to take legal action against you according to the International Copyright Laws.

THE TOTAL NUMBER OF QUESTIONS IS 212

QUESTION NO: 1 If an ethernet port on a router was assigned an IP address of 172.16.112.1/20, what is the maximum number of hosts allowed on this subnet?

- A. 1024
- B. 2046
- C. 4094
- D. 4096
- E. 8190

Answer: C

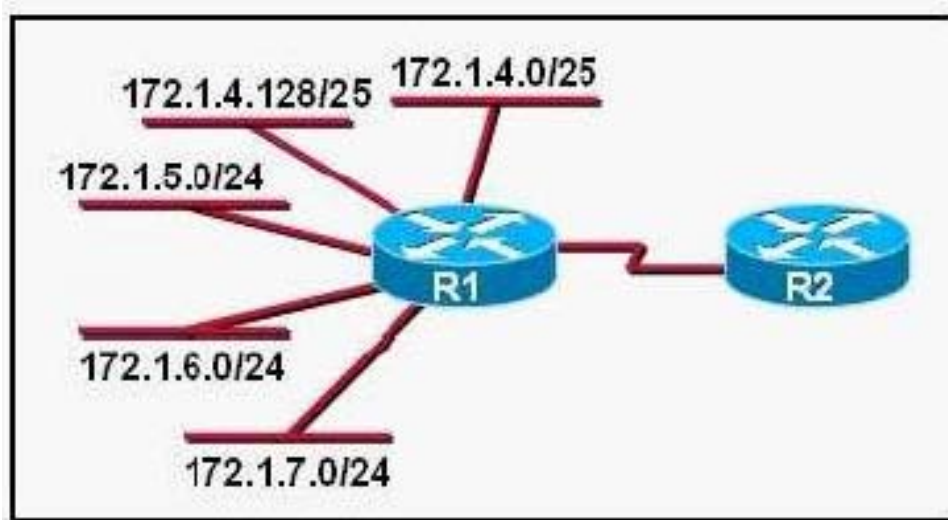
QUESTION NO: 2 An access list was written with the four statements shown in the graphic. Which single access list statement will combine all four of these statements into a single statement that will have exactly the same effect?

```
access-list 10 permit 172.29.16.0 0.0.0.255
access-list 10 permit 172.29.17.0 0.0.0.255
access-list 10 permit 172.29.18.0 0.0.0.255
access-list 10 permit 172.29.19.0 0.0.0.255
```

- A. access-list 10 permit 172.29.16.0 0.0.0.255
- B. access-list 10 permit 172.29.16.0 0.0.1.255
- C. access-list 10 permit 172.29.16.0 0.0.3.255
- D. access-list 10 permit 172.29.16.0 0.0.15.255
- E. access-list 10 permit 172.29.0.0 0.0.255.255

Answer: C

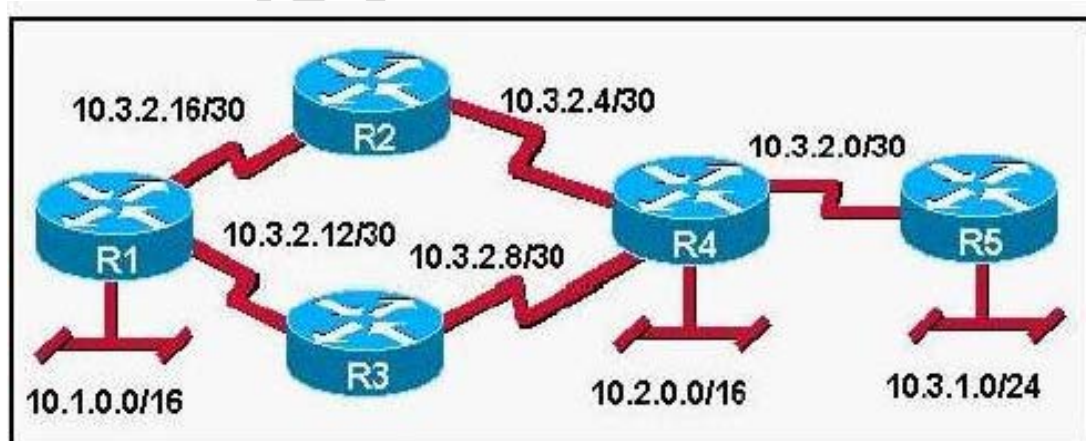
QUESTION NO: 3 Refer to the exhibit. What is the most efficient summarization that R1 can use to advertise its networks to R2?



- A. 172.1.0.0/22
- B. 172.1.0.0/21
- C. 172.1.4.0/22
- D. 172.1.4.0/24 172.1.5.0/24 172.1.6.0/24 172.1.7.0/24
- E. 172.1.4.0/25 172.1.4.128/25 172.1.5.0/24 172.1.6.0/24 172.1.7.0/24

Answer: C

QUESTION NO: 4 Which routing protocols can be used within the enterprise network shown in the diagram? (Choose three.)

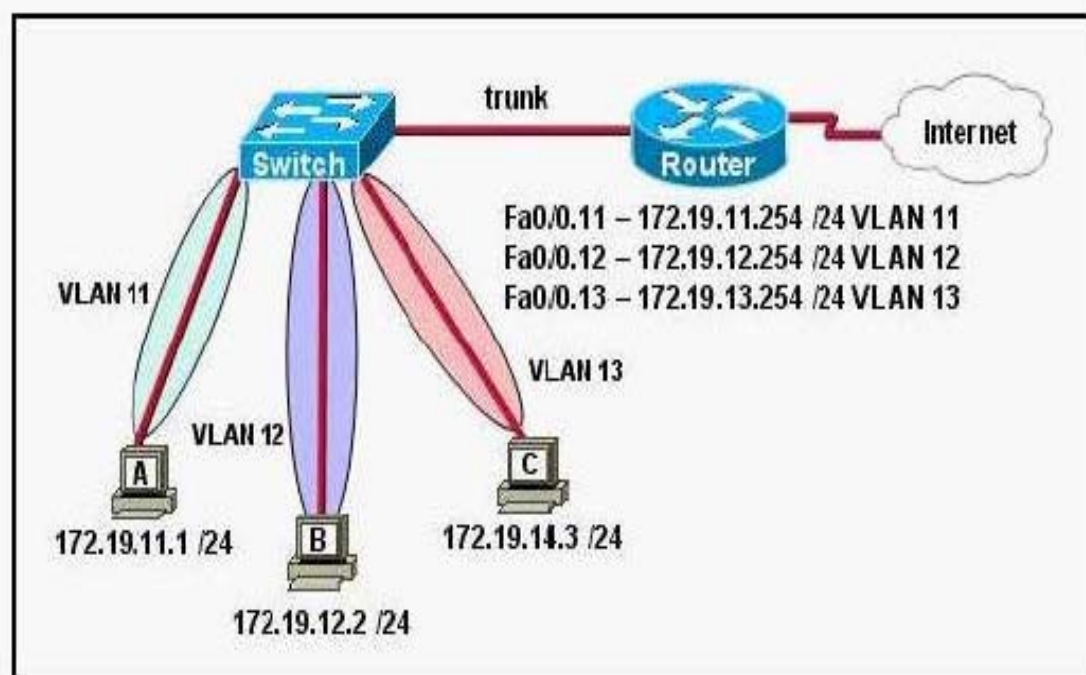


- A. RIP v1
- B. RIP v2
- C. IGRP
- D. OSPF

- E. BGP
- F. EIGRP

Answer: B, D, F

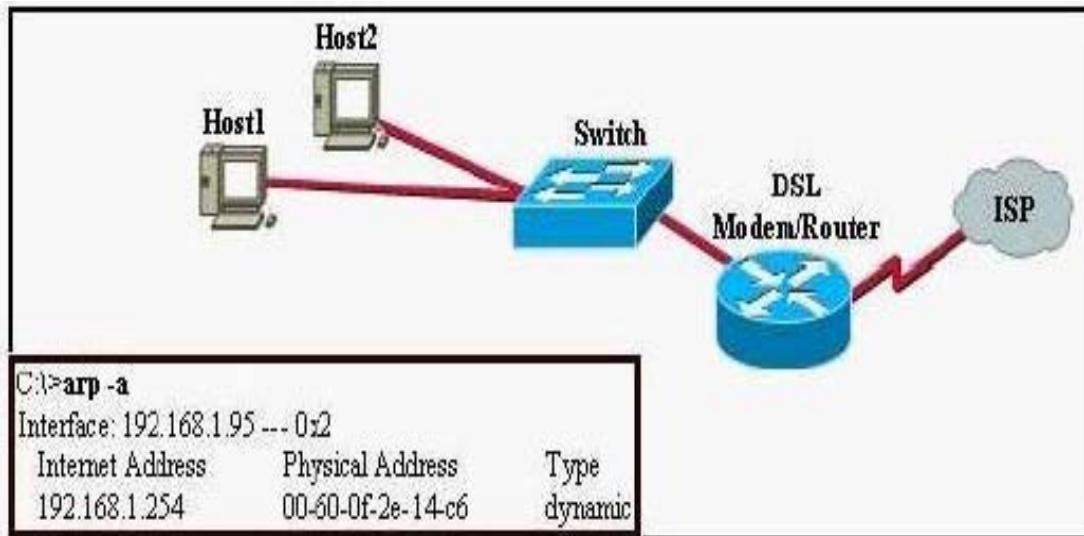
QUESTION NO: 5 Refer to the exhibit. The network shown in the exhibit has just been installed. Host B can access the Internet, but it is unable to ping host C. What is the problem with this configuration?



- A. Host B should be in VLAN 13.
- B. The address of host C is incorrect.
- C. The gateway for host B is in a different subnet than the host is on.
- D. The switch port that sends VLAN 13 frames from the switch to the router is shut down.
- E. The switch port connected to the router is incorrectly configured as an access port.

Answer: B

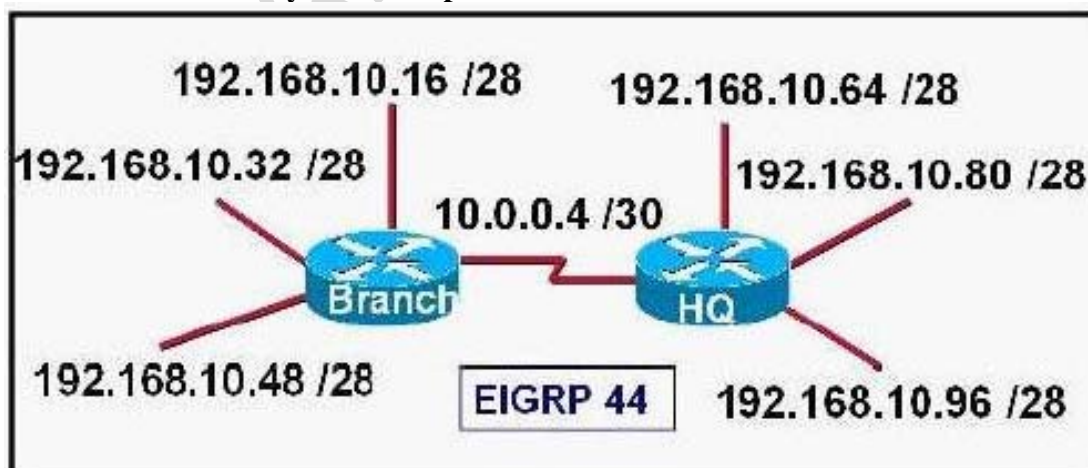
QUESTION NO: 6 The user of Host1 wants to ping the DSL modem/router at 192.168.1.254. Based on the Host1 ARP table that is shown in the exhibit, what will Host1 do?



- A. send a unicast ARP packet to the DSL modem/router
- B. send unicast ICMP packets to the DSL modem/router
- C. send Layer 3 broadcast packets to which the DSL modem/router responds
- D. send a Layer 2 broadcast that is received by Host2, the switch, and the DSL modem/router

Answer: B

QUESTION NO: 7 An internetwork has been configured as shown in the diagram, with both routers using EIGRP routing for AS 44. Users on the Branch router are unable to reach any of the subnets on the HQ router. Which of the following commands is necessary to fix this problem?



- A. Branch(config-router)# version 2
- B. Branch(config-router)# no auto-summary