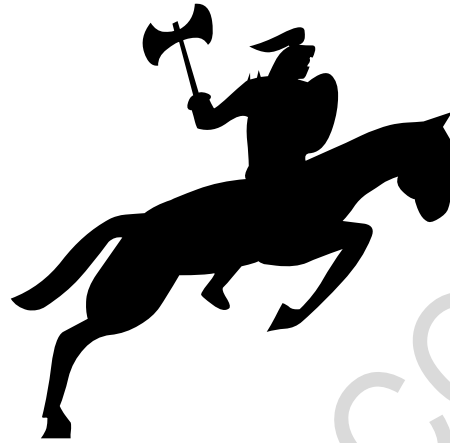


Easy CramBible Lab



640-816

Interconnecting Cisco Networking Devices Part 2

**** Single-user License ****

This copy can be only used by yourself for educational purposes

Web: <http://www.crambible.com/>

E-mail: web@crambible.com

Important Note
Please Read Carefully**Study Tips**

This product will provide you questions and answers along with detailed explanations carefully compiled and written by our experts. Try to understand the concepts behind the questions instead of cramming the questions.

Go through the entire document at least twice so that you make sure that you are not missing anything.

Latest Version

We are constantly reviewing our products. New material is added and old material is revised. Free updates are available for 90 days after the purchase. You should check your member zone at CramBible an update 3-4 days before the scheduled exam date.

Here is the procedure to get the latest version:

1. Go to www.CramBible.com
2. Click on Member zone/Log in
3. The latest versions of all purchased products are download from here. Just click the links.

For most updates, it is enough just to print the new questions at the end of the new version, not the whole document.

Feedback

Feedback on specific questions should be send to web@CramBible.com. You should state: Exam number and version, question number, and login ID.

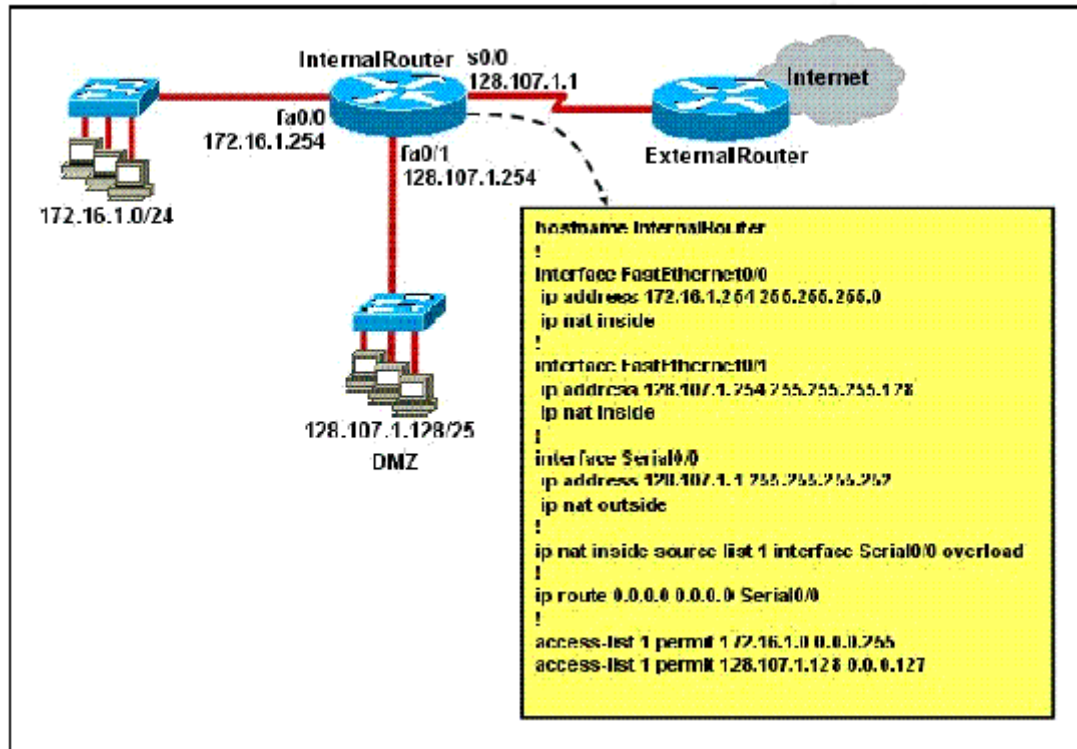
Our experts will answer your mail promptly.

Copyright

Each pdf file contains a unique serial number associated with your particular name and contact information for security purposes. So if we find out that a particular pdf file is being distributed by you, CramBible reserves the right to take legal action against you according to the International Copyright Laws.

THE TOTAL NUMBER OF QUESTIONS IS 204

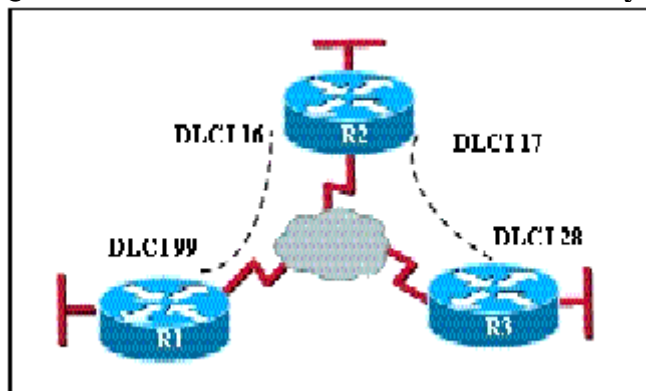
QUESTION NO: 1 You work as a junior network engineer for CramBible Ltd. Study the exhibit carefully. You have prepared the exhibited configuration file. Which two statements correctly describe the planned configuration for interface fa0/1? (Choose two.)



- A. The fa0/1 IP address overlaps with the space used by s0/0.
- B. Address translation on fa0/1 is not required for DMZ Devices to access the Internet.
- C. The fa0/1 IP address is invalid for the IP subnet on which it resides.
- D. Internet hosts may not initiate connections to DMZ Devices through the configuration that is shown.

Answer: B, D

QUESTION NO: 2 The CramBible frame relay network is displayed as follows:



- A. DLCI 17 describes the ISDN circuit between CramBible2 and CramBible3.
- B. DLCI 17 describes a PVC on CramBible2. It cannot be used on CramBible3 or CramBible1.
- C. DLCI 17 is the Layer 2 address used by CramBible2 to describe a PVC to CramBible3.
- D. DLCI 17 describes the dial-up circuit from CramBible2 and CramBible3 to the service provider.

Answer: C

QUESTION NO: 3 You are an administrator of CramBible. And you are required to troubleshoot a problem between routers which are using different versions of RIP. You need information telling you which version of RIP was being sent and received on an interface. Which two commands should be used? (Choose two.)

- A. debug ip rip
- B. debug rip routing
- C. show ip protocols
- D. show ip route rip

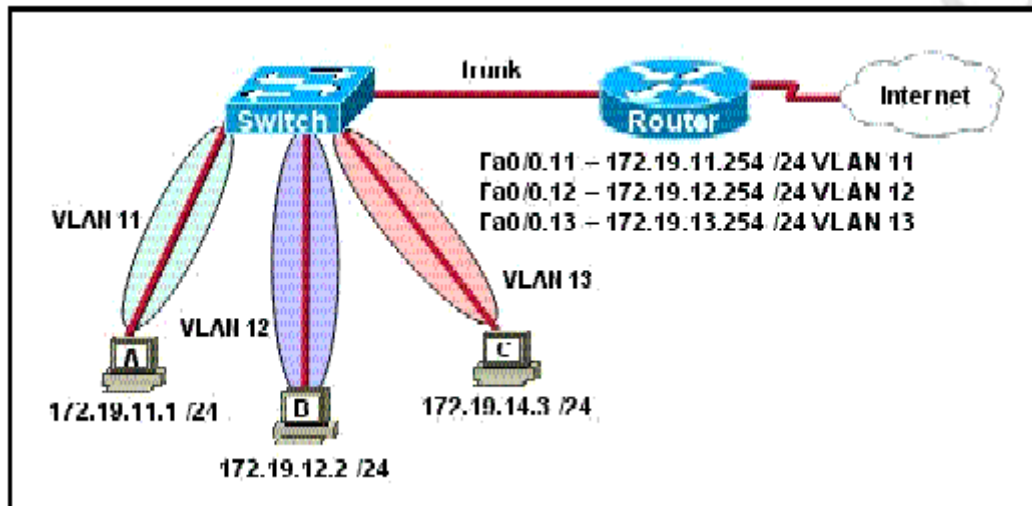
Answer: A, C

QUESTION NO: 4 Cisco is the default Local Management Interface frame type transmitted by a Cisco router on a Frame Relay circuit.

- A. True
- B. False

Answer: A

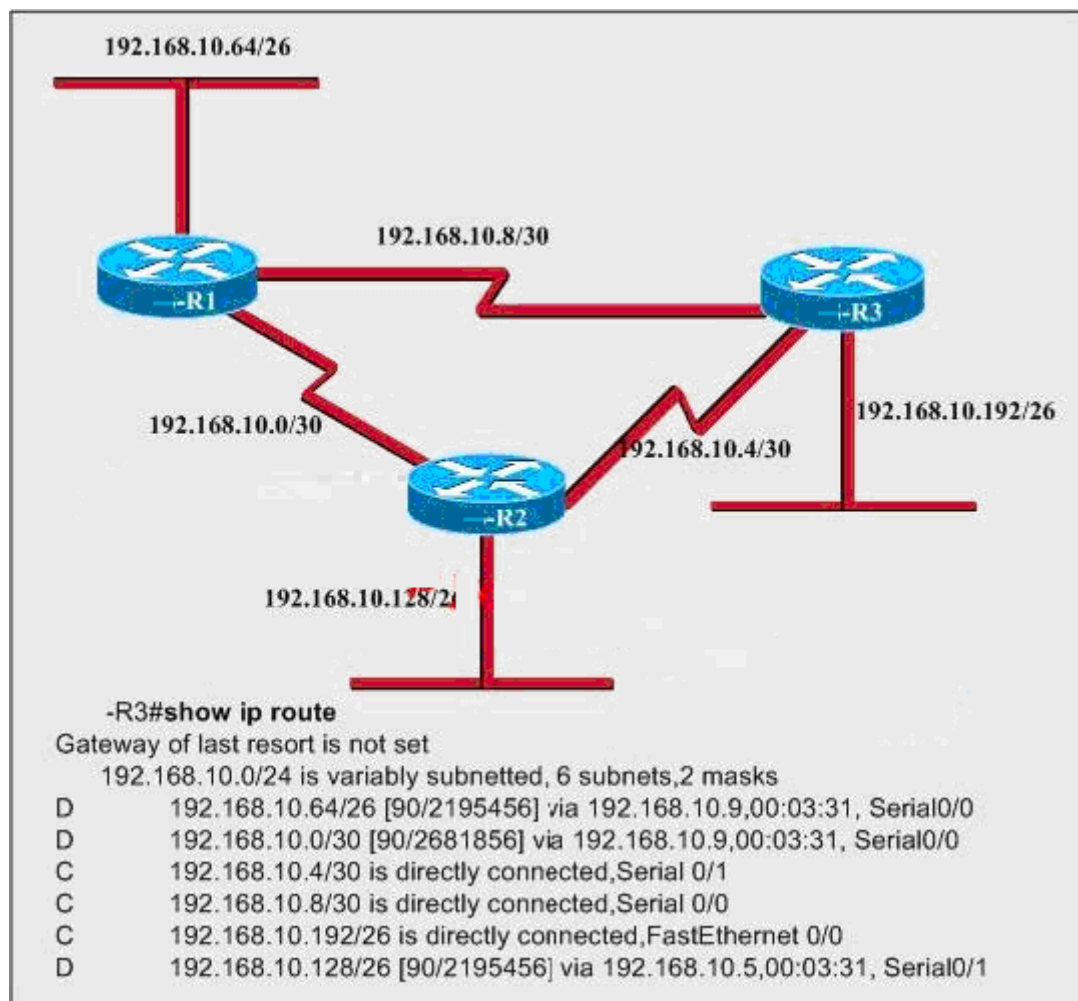
QUESTION NO: 5 The exhibit below displays the network which has just been installed. Host CB-B is able to access the Internet, but it can't ping host CB-C. What is the problem with this configuration?



- A. The gateway for host CB-B is in a different subnet than the host is on.
- B. The address of host CB-C is incorrect.
- C. The switch port that sends VLAN 13 frames from the switch to the router is shut down.
- D. Host CB-B should be in VLAN 13.

Answer: B

QUESTION NO: 6 You are a network administrator of CramBible. The routing protocol that the company uses is EIGRP as it is shown in the exhibit. Packets will leave from a host on the 192.168.10.192/26 network to a host on the LAN attached to router CB-R1, what path will be chosen?



- A. The path will be CB-R3 to CB-R1.
- B. The path will be CB-R3 to CB-R1 to CB-R2.
- C. The path will be CB-R3 to CB-R2 to CB-R1.
- D. The path will be both CB-R3 to CB-R2 to CB-R1 and CB-R3 to CB-R1.

Answer: A

QUESTION NO: 7 Routing has been configured on the CramBible router with these commands: CramBible(config)# ip route 0.0.0.0 0.0.0.0 192.168.1.1
 CramBible(config)# ip route 10.1.0.0 255.255.255.0 192.168.2.2
 CramBible(config)# ip route 10.1.0.0 255.255.0.0 192.168.3.3 Match the proper relationship between each destination IP address and next hop address.

- 1.10.1.1.10
- 2.10.1.0.14
- 3.10.2.1.3
- 4.10.1.4.6
- 5.10.1.0.123
- 6.10.6.8.4

Easy CramBible Lab



640-822

Interconnecting Cisco Networking Devices Part 1

**** Single-user License ****

This copy can be only used by yourself for educational purposes

Web: <http://www.crambible.com/>

E-mail: web@crambible.com

**Important Note
Please Read Carefully****Study Tips**

This product will provide you questions and answers along with detailed explanations carefully compiled and written by our experts. Try to understand the concepts behind the questions instead of cramming the questions.

Go through the entire document at least twice so that you make sure that you are not missing anything.

Latest Version

We are constantly reviewing our products. New material is added and old material is revised. Free updates are available for 90 days after the purchase. You should check your member zone at CramBible an update 3-4 days before the scheduled exam date.

Here is the procedure to get the latest version:

1. Go to www.CramBible.com
2. Click on Member zone/Log in
3. The latest versions of all purchased products are download from here. Just click the links.

For most updates, it is enough just to print the new questions at the end of the new version, not the whole document.

Feedback

Feedback on specific questions should be send to web@CramBible.com. You should state: Exam number and version, question number, and login ID.

Our experts will answer your mail promptly.

Copyright

Each pdf file contains a unique serial number associated with your particular name and contact information for security purposes. So if we find out that a particular pdf file is being distributed by you, CramBible reserves the right to take legal action against you according to the International Copyright Laws.

THE TOTAL NUMBER OF QUESTIONS IS 188

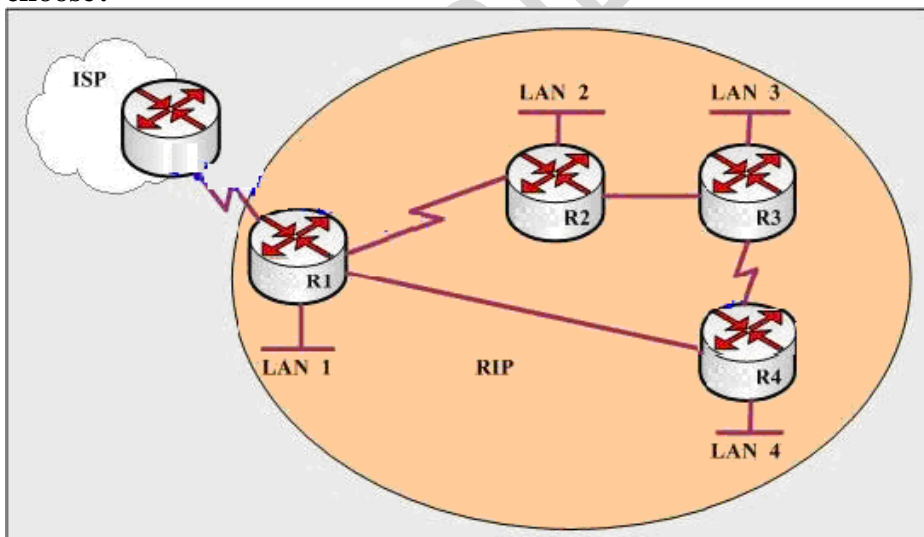
QUESTION NO: 1 Match the corresponding command sequence and configure an IP address on a serial interface.(Not all options are used) 1.CRAMBIBLE# interface s0/0 2.CRAMBIBLE(config)# interface s0/0 3.CRAMBIBLE(config-if)# no shutdown 4.CRAMBIBLE(config-if)# enable interface 5.CRAMBIBLE(config)# ip address 172.16.20.21 255.255.255.0 6.CRAMBIBLE(config-if)# ip address 10.8.5.255 255.255.252.0 7.CRAMBIBLE(config-if)# ip address 198.18.2.63 255.255.255.224 8.CRAMBIBLE(config-if)# description T1 to WAN 9.CRAMBIBLE(config)# banner motd! T1 to WAN! 10.CRAMBIBLE# configure terminal

I.enable the interface II.label the interface III.enter global configuration mode IV.enter interface configuration mode V.configure the interface IP address

- A. I-3,II-8,III-10,IV-2,V-6
- B. I-3,II-8,III-10,IV-1,V-6
- C. I-3,II-9,III-10,IV-2,V-5
- D. I-3,II-9,III-10,IV-1,V-5

Answer: A

QUESTION NO: 2 You are a network administrator for CramBible. You are required to configure a default route on a router. Which router should you choose?

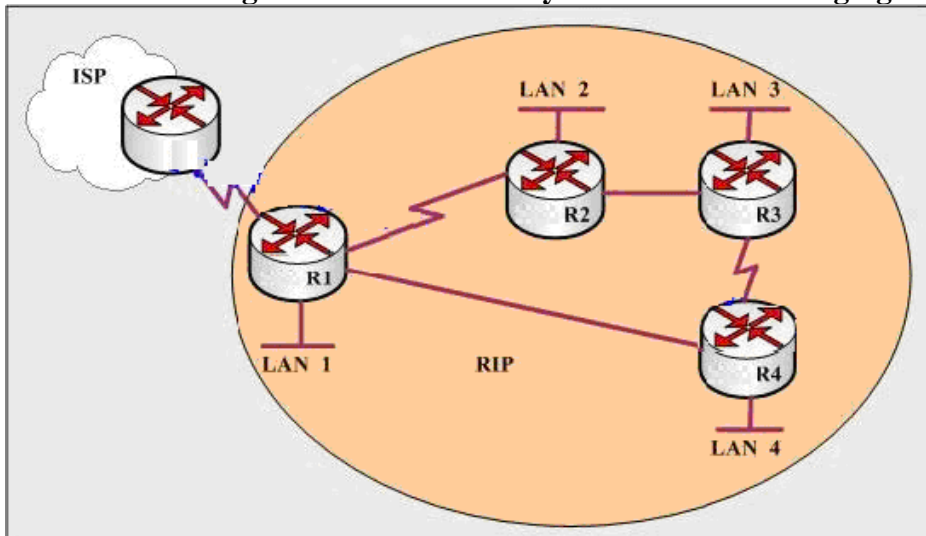


- A. CRAMBIBLE-R1
- B. CRAMBIBLE-R2
- C. CRAMBIBLE-R3
- D. ISP router

Answer: A

QUESTION NO: 3 All links are operational and all routers are converged. Choose

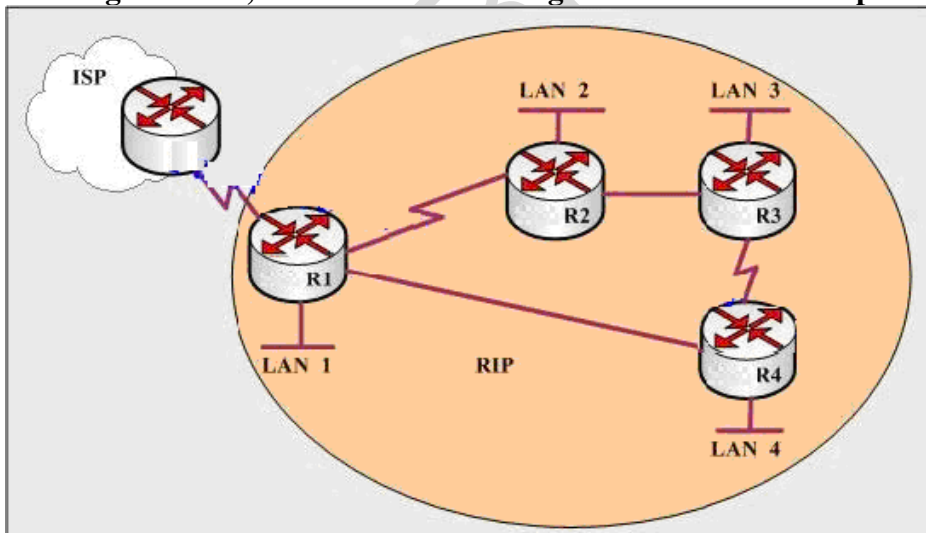
from the following the one that correctly describes the messaging between routers.



- A. Hellos are sent every five seconds
- B. Broadcasts are sent every 30 seconds
- C. Multicasts are sent every 60 seconds
- D. No messaging unless the topology changes

Answer: B

QUESTION NO: 4 Assuming that the interface from CRAMBIBLE-R4 connected to LAN 4 goes down, which of the following describes the route update process?

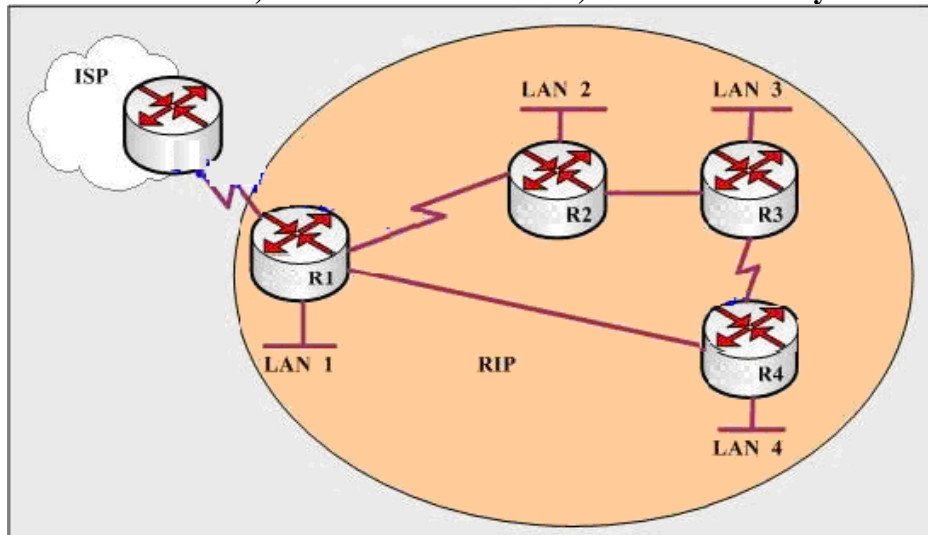


- A. CRAMBIBLE-R4 tells both CRAMBIBLE-R1 and CRAMBIBLE-R3 the network not accessible. Both CRAMBIBLE-R3 and CRAMBIBLE-R1 update CRAMBIBLE-R2..
- B. CRAMBIBLE-R4 tells only CRAMBIBLE-R3 the network is not accessible. CRAMBIBLE-R3 updates CRAMBIBLE-R2 and CRAMBIBLE-R2 updates CRAMBIBLE-R1.
- C. CRAMBIBLE-R4 tells only CRAMBIBLE-R1 the network is not accessible.

CRAMBIBLE-R1 updates CRAMBIBLE-R2 and CRAMBIBLE-R2 updates CRAMBIBLE-R3
D. No updates occur

Answer: A

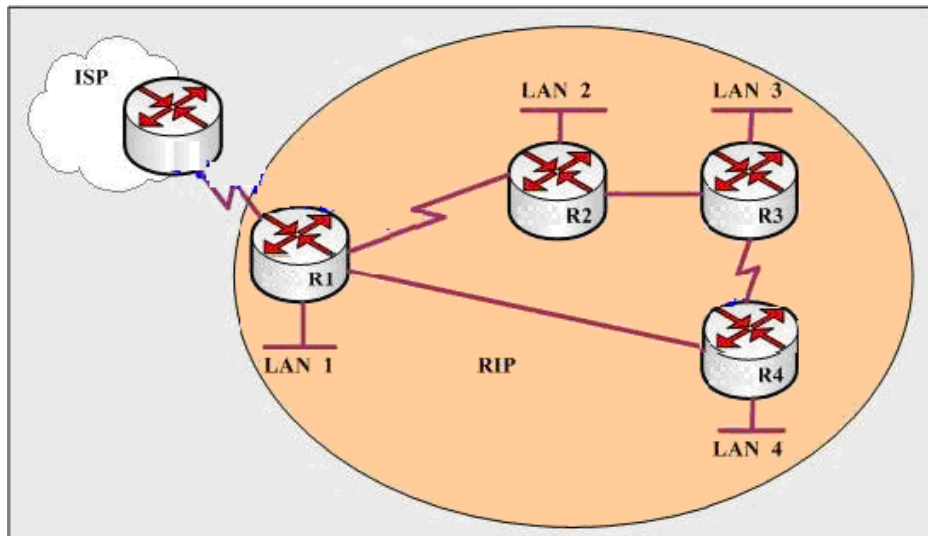
QUESTION NO: 5 Instead of static routes on CRAMBIBLE-R1, CRAMBIBLE-R2, CRAMBIBLE-R3, and CRAMBIBLE-R4, RIP is used. Why?



- A. RIP creates more accurate than static routes.
- B. RIP uses less network resources than do static routes
- C. RIP is supported by more different vendors equipment than static routes
- D. RIP requires fewer configurations to automatically adjust when links go down than static routes

Answer: D

QUESTION NO: 6 You are required to configure a static route on a router, which one would you choose?



- A. CRAMBIBLE-R1
- B. CRAMBIBLE-R2
- C. CRAMBIBLE-R3
- D. the ISP router

Answer: D

QUESTION NO: 7 Attaching an Ethernet cable to a PC NIC and then attaching to a switch port. The PC power is turned on and the switch port link LED becomes green. Which two conditions does the link light indicate? (Choose two.)

- A. Layer 2 communication has been established between the PC and switch.
- B. Traffic is being sent from the switch to the PC.
- C. If flashing, the green LED indicates port speed of 100 Mb/s.
- D. The Layer 1 media is functioning between the PC and switch.

Answer: A, D

QUESTION NO: 8 Look at the following exhibit. The diagram is provided by the CramBible network support staff as a recommended configuration for the first phase of a four-phase network expansion project. The entire network expansion will have over 1000 users on 14 network segments. The following IP address space has been allocated for this network:

192.168.1.1 through 192.168.5.255

192.168.100.1 through 198.168.100.255

There are three problems with this design. What are them? (Choose three.)